

**Product Overview:** 4000 series shower seats have been designed to accommodate a variety of individual needs of end users for enclosures with limited space.

- Features:**
- Unique and innovative design will give years of trouble free service
  - Made from rust proof stainless steel
  - Available in white without padding
  - Blue seat cushion or grey seat cushion options

- Benefits:**
- Designed in consultation with occupational therapists, end users and installers
  - Adjustable for comfort, with seat heights of between 390–640mm (provided by two sets of legs supplied as standard)
  - Sturdy design, carries weight up to 254kg/40 stone
  - + or - 13mm fine adjustment to support leg to allow for gradient in floor



**Guarantee:**

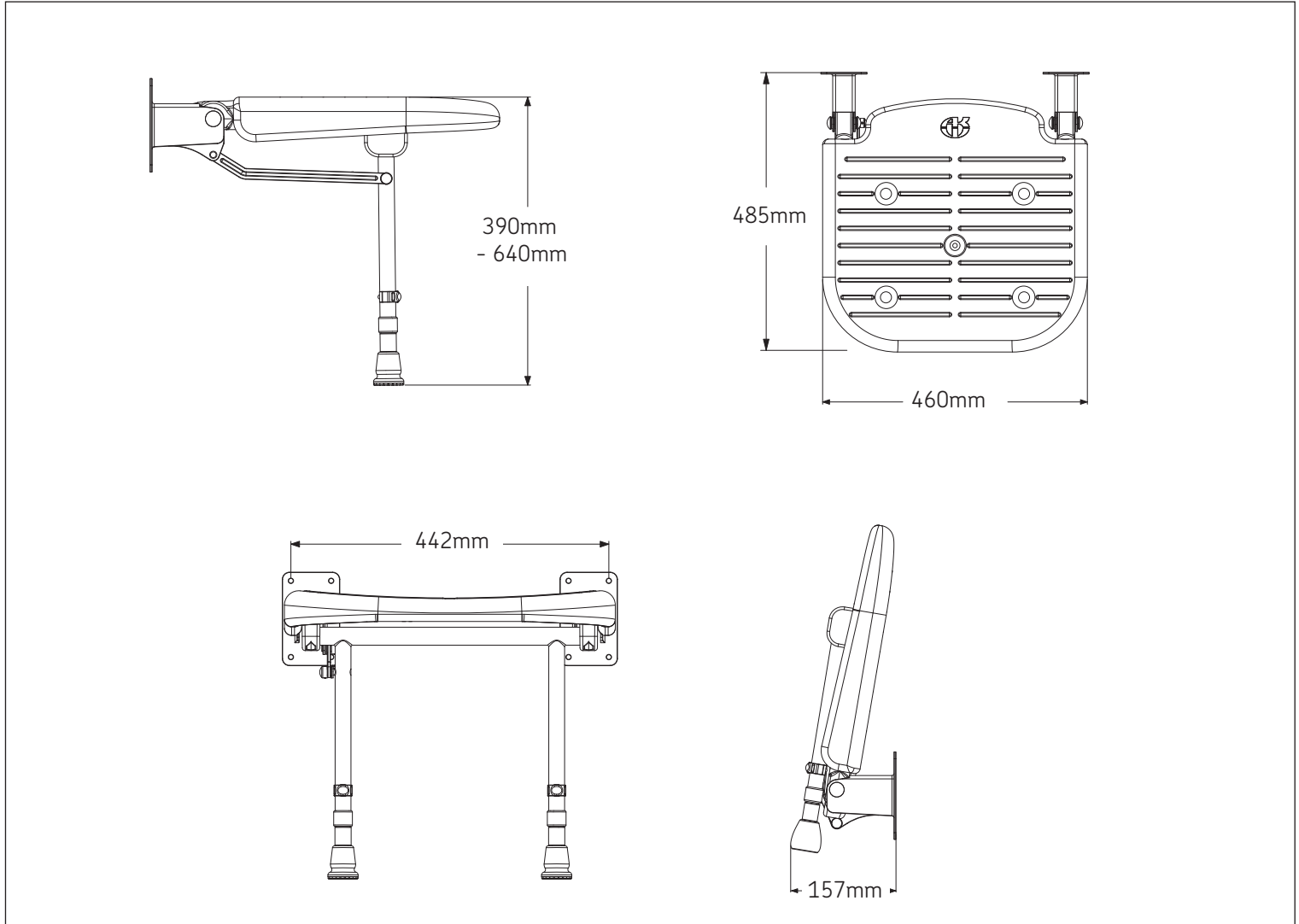


\* The lifetime warranty excludes normal wear and tear in general applications and in accordance with AKW installation instructions. It applied only to products being installed for the first time and according to relevant local and national regulations.

### Product Specification:

- Quality tested to BS EN 12182:1998 & BS EN 12727:2000
- Made from rust proof stainless steel
- Maximum weight capacity: 254kg / 40 stone

### Dimensions:



### Product Codes:

Seat colour	Arm colour	Product code
White	N/A	04070
Blue padded	N/A	04070P
Grey padded	N/A	04270P
Accessories		
Blue spare seat cushion		04170
Grey spare seat cushion		04270